

LN Lighting technical data

LED 80-100W Garage light

Lighting technical data

LED GARAGE LIGHT is an alternative light source with longer life and uniformed light distribution

Adjustable angle



RoHS

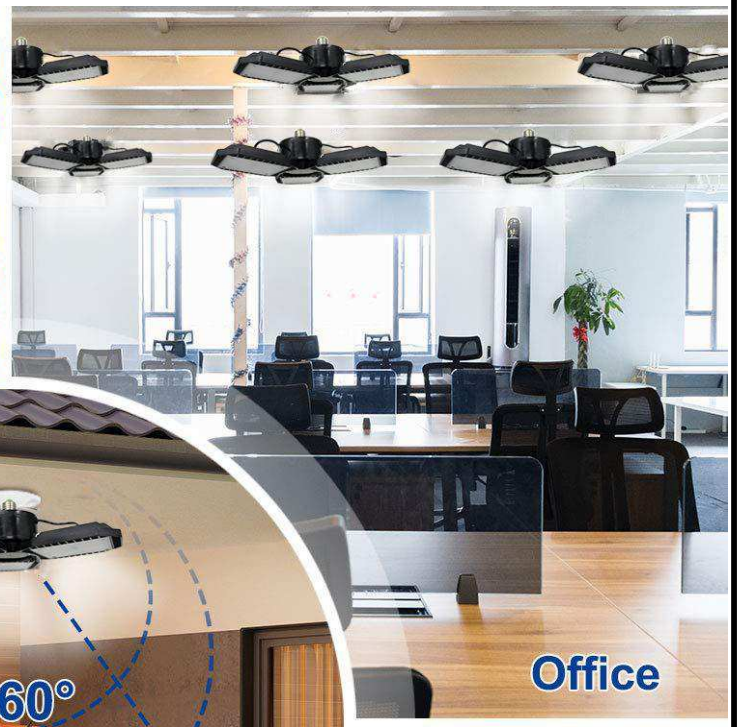




Usage scenario



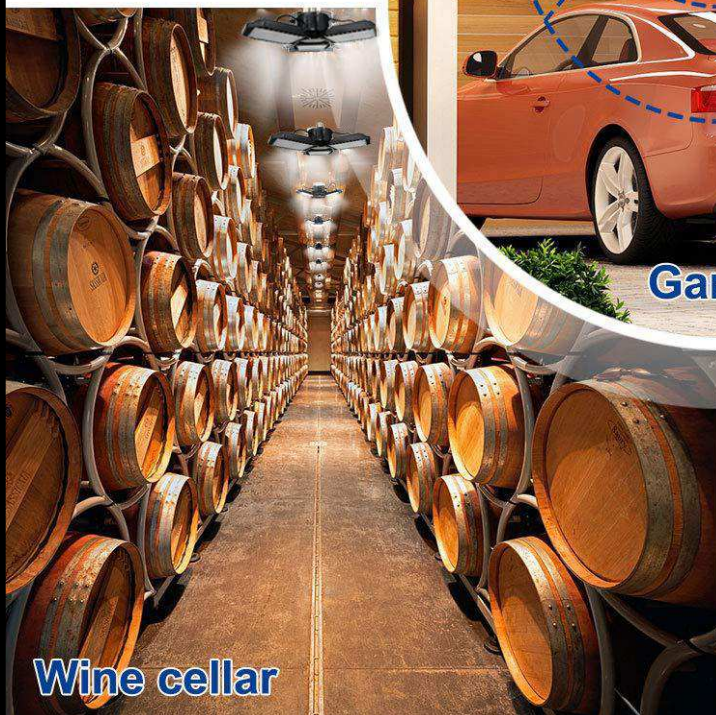
Warehouse



Office



Garage



Wine cellar



Corridor



Line-Up

Model No.	Watts(W)	Light Output(lm)	Dimension(mm)	Light Color(K)	Beam Angle(Degree)
LN-GL80-U-N-QW-B-U-C-00	80 ± 10%	10400 ± 10%	329*295*99	5000K	360
LN-GL100-U-N-QW-B-U-C-00	100 ± 10%	12000 ± 10%	329*295*99	5000K	360

Technical Specifications

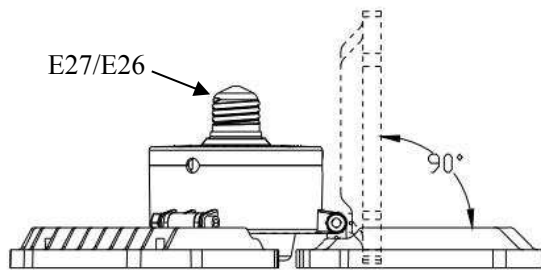
Item	Test Conditions	Min.		Typ.		Max.	
Input Voltage(V, rms)	AC	100		220		277	
Input Current(mA, rms)	AC(120V)	---	---	365	460	---	---
Input Power(W, rms)	AC(All)	80	100	80	100	80	100
Input Frequency(Hz)	AC	50 / 60Hz					
Power Factor(PF)	AC(All)	0.9					
Output Voltage(V)	DC	61		63		65	
Output Current(mA)	DC	1.17	1.44	1.18	1.45	1.19	1.46
Output Power(W)	DC	71.37	87.84	74.34	91.35	77.35	94.9

Environmental Requirements

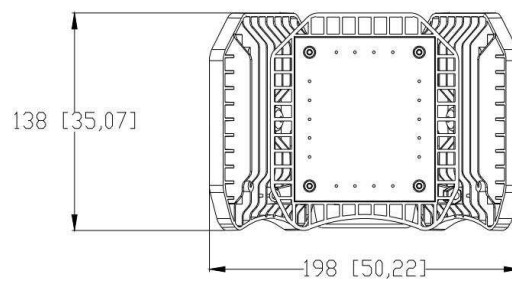
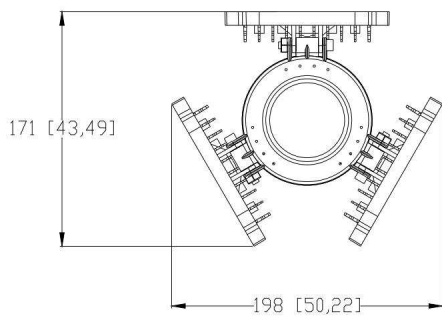
Specifications	Values
Operational Temperature Range	-40~40℃
Preservation Temperature Range	-40~90℃
Operational Humidity Range	95%Rh or below (@-40~40℃)
Installation Area	Outdoor (Counter,Residential,Commercial,etc)



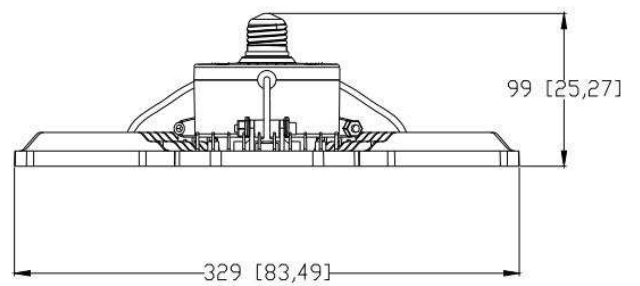
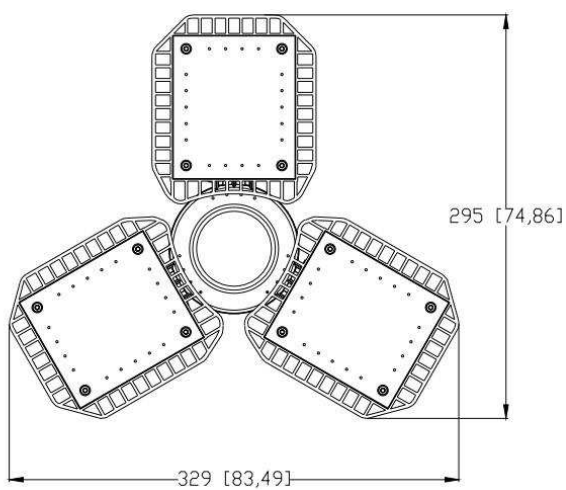
Angle adjustable



Closed size



Expand Size



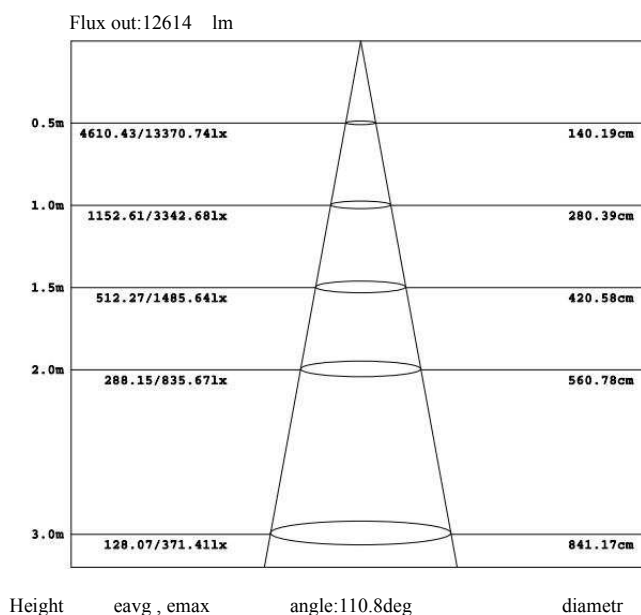
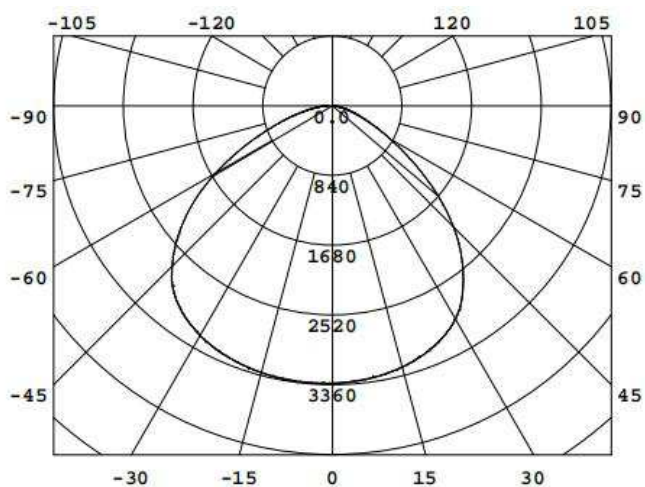
Material	IP
ADC12	
PC	



Category	Specifications		Unit
Watts	80	100	W
Lumens per Watt(Efficacy)	130	120	Lm/W
Light Output	10400	12000	lm
Light Color(CCT)	5000	5000	K
Beam Angle	360		°(degree)
Color Accuracy(CRI)	80		Ra
Product Weight	930		G
Rating Life	50000		H
Base	E27/E26		
Input Voltage	220		V

Luminance Intensity Distribution

Cone Lux Diagram





Product Packaging	Specifications	Unit
Product Dimension	329*295*99	mm
Net Weigh	0.93	Kg
Size of box	L200*W172*H140	mm
Gross Weight	1.02	Kg
Size of Carton		mm
Qty/ Carton		PCS
Weight/ Carton		Kg

Revision History				
Mtime	Changed to: VER	Description of Change		
		Item	From	To